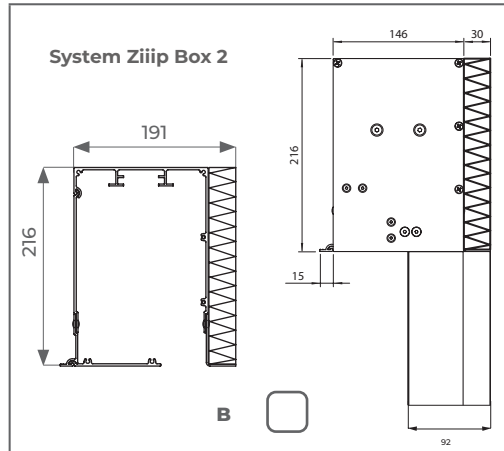
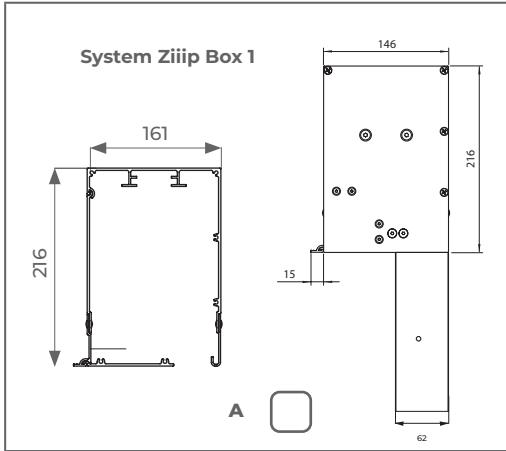


REFLEKSOL ZiiP BOX

order form

Order no. reference:

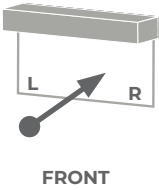
Type of system



| SYSTEM'S COLOUR | BEIGE | | | | WHITE | | LIGHT GREY | | | | DARK GREY | | | | ANTHRACITE | | BLACK | BROWN | | | OTHER RAL COLOUR with surcharge | | | | | | |
|----------------------------|---------|----------|----------|----------|----------|----------|------------|----------|----------|----------|-----------|----------|--------|-----------|------------|----------|----------|----------|----------|----------|------------------------------------|----------|----------|----------|----------|---------|----------|
| | VSR 240 | RAL 1015 | RAL 1013 | RAL 9001 | RAL 9010 | RAL 9016 | RAL 7035 | RAL 9006 | RAL 7001 | RAL 7037 | RAL 9007 | RAL 7012 | DB 703 | FSM 71319 | RAL 7015 | RAL 7039 | RAL 7024 | RAL 7016 | RAL 7021 | RAL 7043 | | RAL 7022 | RAL 9005 | RAL 8014 | RAL 8016 | VSR 780 | RAL 8003 |
| COLOURS IN SELT COLLECTION | | | | | | | | | | | | | | | | | | | | | | | | | | | |
| SYSTEM CONSTRUCTION | | | | | | | | | | | | | | | | | | | | | | | | | | | |
| GUIDE RAILS | | | | | | | | | | | | | | | | | | | | | | | | | | | |
| BOTTOM BAR | | | | | | | | | | | | | | | | | | | | | | | | | | | |
| PROFILE | | | | | | | | | | | | | | | | | | | | | | | | | | | |

| FABRICS | COLOUR/FABRIC NUMBER | BRIGHTER SIDE OF THE FABRIC |
|--------------------|----------------------|-----------------------------|
| SERGE 600 | | |
| SERGE 100 | | |
| SERGE 600 BO LUMAR | | |
| | | |

| ELECTRIC DRIVE | MECHANICAL LIMIT SWITCHES | ELECTRONIC LIMIT SWITCHES | BUILT-IN RADIO RECEIVER | OBSTACLE DETECTION | STANDARD | ELLERO | SOMFY |
|------------------|---------------------------|---------------------------|-------------------------|--------------------|----------|------------|----------------|
| | | | | | | | |
| AXIS | X | | | | M45 | VariEco | LT 50 JET |
| NEMO WT | | X | | | | SUNTOP M | ALTUS 50 WT |
| NEMO WT MAESTRIA | | | | | | | MAESTRIA 50WT |
| NEMO | | X | X | | DM45EAF5 | SUNTOP 858 | ALTUS 50 RTS |
| NEMO IO | | X | X | | | | SUNILUS 50 IO |
| NEMO IO MAESTRIA | | X | X | | | | MAESTRIA 50 IO |

| NO. | TOTAL WIDTH [MM] | TOTAL HEIGHT [MM] | QUANTITY | DRIVE SIDE  | DIRECT INSTALLATION | |
|-----|------------------|-------------------|----------|---|---------------------|------|
| | | WINDOW HEIGHT | | | FRONTAL | SIDE |
| 1 | | | | | | |
| 2 | | | | | | |
| 3 | | | | | | |
| 4 | | | | | | |
| 5 | | | | | | |
| 6 | | | | | | |
| 7 | | | | | | |
| 8 | | | | | | |
| 9 | | | | | | |
| 10 | | | | | | |
| 11 | | | | | | |
| 12 | | | | | | |
| 13 | | | | | | |
| 14 | | | | | | |
| 15 | | | | | | |
| 16 | | | | | | |
| 17 | | | | | | |
| 18 | | | | | | |
| 19 | | | | | | |
| 20 | | | | | | |
| 21 | | | | | | |
| 22 | | | | | | |

Delivery address:

Remarks:

The Buyer hereby declares that they speak fluent English, understand the statements received and submitted in English, orders submitted, and to have read and accepted General Sales Terms and Conditions, General Warranty Terms and Conditions, Technical-operational documentation and Declaration of performance for external systems, Declaration of Conformity for systems with motor drive and information on safety elements installation for internal systems operated with cord and ball chain, available at www.selt.com/ArkuszeZamowien-en

Signature Ordering company Date