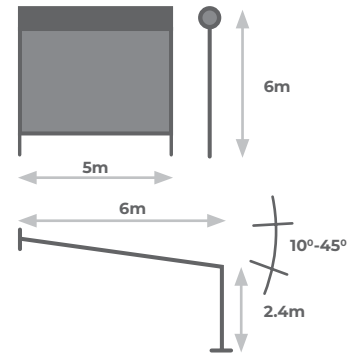




Order form Pergola V ZiiiP

Order no. reference:

1. Model Pergola V ZIII P



2. Choose the variant of product

<input type="checkbox"/> Single	<input type="checkbox"/> Modules connected on the projection/length side

3. Colours

COLOUR	RAL 9010	RAL 9006	FSM 71319	RAL 7016	RAL 9005
CONSTRUCTION					
COLOUR OF POSTS WITH 2400 MM HEIGHT					
GUIDE RAIL/ FRONT BAR/ BELT LOCKEND CAPS					
OUTLET HOLE END CAPS					

FABRICS	COLOUR AND NUMBER OF FABRIC
SERGE 600	
SERGE 100	
Brighter side of the fabric	
<input type="checkbox"/> Top	
<input type="checkbox"/> Bottom	

4. Cassette bracket

vertical	horizontal
<input type="checkbox"/>	<input type="checkbox"/>
<input type="checkbox"/>	<input type="checkbox"/>

5. Motor

Somfy OREA RTS Somfy IO

6. Dimensions

No.	Measurement: axis / total	Width max 5 m	Projection length max 6 m	Drive side left / right	Module: single left / middle / right	Quantity
1						
2						
3						
4						
5						
6						

Additional electric accessories
Remote control/ sensors etc.

Delivery address:

Remarks:

The Buyer hereby declares that they speak fluent English, understands the statements received and submitted in English, orders submitted, and to have read and accepted General Sales Terms and Conditions, General Warranty Terms and Conditions, Technical-operational documentation and Declaration of performance for external systems, Declaration of Conformity for systems with motor drive and information on safety elements installation for internal systems operated with cord and ball chain, available at www.selt.com/doc-en.

Signature Ordering company Date